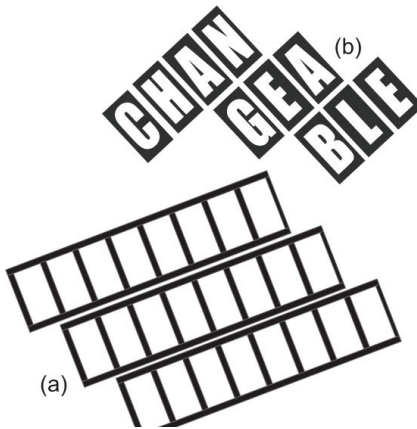
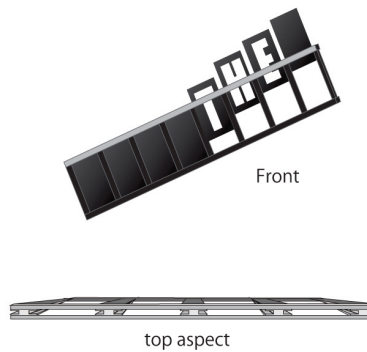


Our Patented Track System

1. The message board is comprised of cartridge tracks (a) and letters (b).



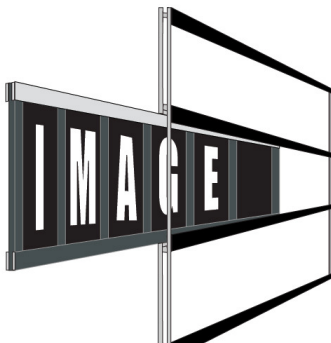
2. The letters are loaded into both sides of the cartridge tracks effectively locking the letters into place.



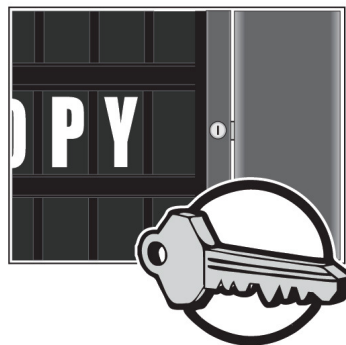
3. When the sign is unlocked, the message board pivots open to allow the user access to the track system.



4. The previous message is removed and the new message is simply slid into place in the message board.



5. The message board rotates shut and is locked in place.



6. Once locked, the double sided sign is tamper proof which allows it to be installed at grade levels and within the "line of sight".



Brought to you by: